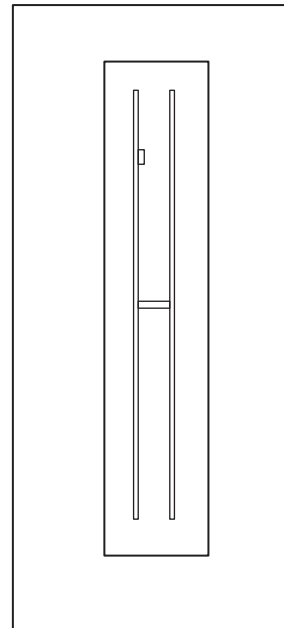
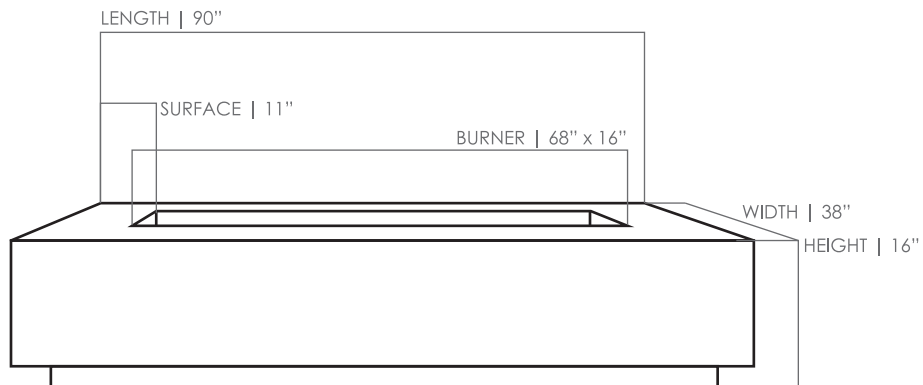


FIRE FEATURES

# TAVOLA VI



## SPECIFICATIONS

Width	38"
Length	90"
Height	16"
Surface	11"
Burner Size	68" x 16" / 65,000 BTU
Weight	650 lbs.
Fuel Source	LP or NG
Ignition	Electric Ignition
Materials	Glass fiber reinforced cement

\*CSA listed burner, stainless steel insert. Installation instructions & nylon lifting strap included. 24 Month warranty.

## AVAILABLE COLORS



Pewter



Natural



Ebony



Sand



Sienna



Cafe

Included Media:  
3/4" Lava Rock





*The Tavola VI Fire Table provides an outdoor retreat of warmth and ambiance. Each Table has been hand-crafted using our custom patina finishing process, guaranteeing a one-of-a-kind creation with subtle variation.*

*Our largest Fire Feature provides ample space for multiple people to enjoy the warm glow of fire. Perfect for large sitting areas or as a large decorative piece.*

*The Tavola VI is capable of holding lava rock, fire rock, and fire glass, available in over a dozen colors. Included with this Fire Feature is a 50lb. bag of 3/4" black lava rock.*

