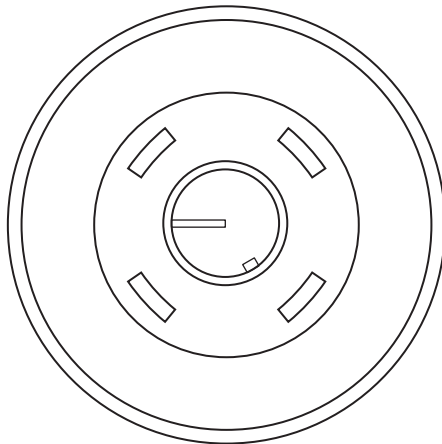
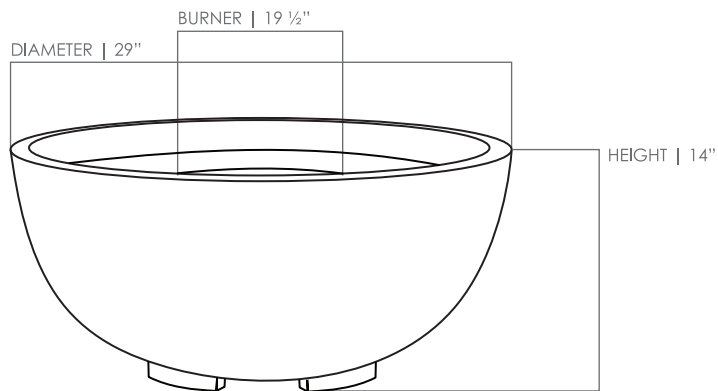


FIRE FEATURES

# MODERNO II



## SPECIFICATIONS

Diameter	29"
Bottom Diameter	14"
Height	14"
Burner Size	19 1/2" Diameter / 65,000 BTU
Weight	90 lbs.
Fuel Source	LP or NG
Ignition	Key Valve
Materials	Glass fiber reinforced cement

\*CSA listed burner, stainless steel insert. Installation instructions & nylon lifting strap included. 24 Month warranty.

## AVAILABLE COLORS



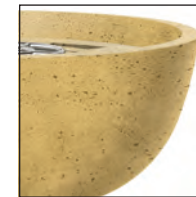
Pewter



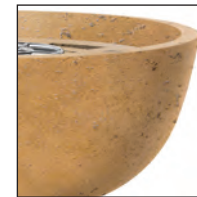
Natural



Ebony



Sand



Sienna



Cafe

Included Media:  
3/4" Lava Rock



*The Moderno II Fire Bowl provides an outdoor retreat of warmth and ambiance. Each Table has been hand-crafted using our custom patina finishing process, guaranteeing a one-of-a-kind creation with subtle variation.*

*A compact version of the original, the Moderno II's round shape provides a beautiful centerpiece for smaller patio areas. The ambient heat provides plenty of warmth for multiple people.*

*The Moderno II is capable of holding lava rock, fire rock, and fire glass, available in over a dozen colors. Included with this Fire Feature is a 50lb. bag of 3/4" black lava rock.*

