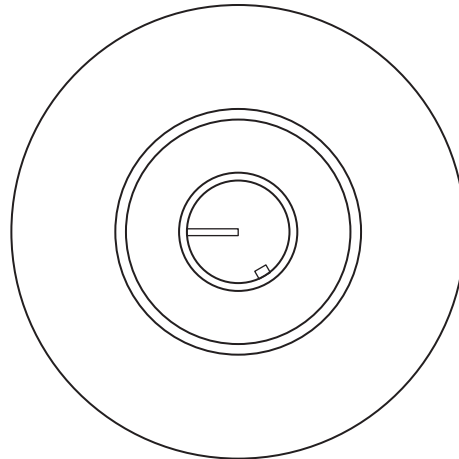
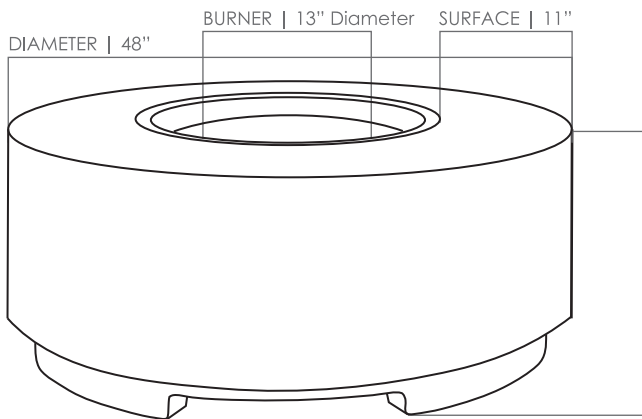


FIRE FEATURES

# ROTONDO



## SPECIFICATIONS

Diameter	48"
Height	18"
Surface	11"
Burner Size	13" Diameter / 65,000 BTU
Weight	430 lbs.
Fuel Source	LP or NG
Ignition	Key Valve
Materials	Glass fiber reinforced cement

\*CSA listed burner, stainless steel insert. Installation instructions & nylon lifting strap included. 24 Month warranty.

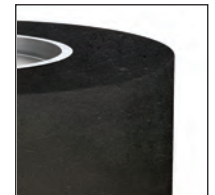
## AVAILABLE COLORS



Pewter



Natural



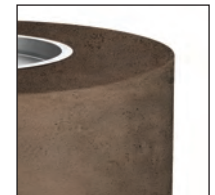
Ebony



Sand



Sienna



Cafe

Included Media:  
3/4" Lava Rock



*The Rotondo Fire Table provides an outdoor retreat of warmth and ambiance. Each Table has been hand-crafted using our custom patina finishing process, guaranteeing a one-of-a-kind creation with subtle variation.*

*The 11" surface area provides adequate distance from the flame allowing for table like usage for drinks. The round shape provides a beautiful centerpiece to surround with chairs.*

*The Rotondo is capable of holding lava rock, fire rock, and fire glass, available in over a dozen colors. Included with this Fire Feature is a 50lb. bag of 3/4" black lava rock.*

