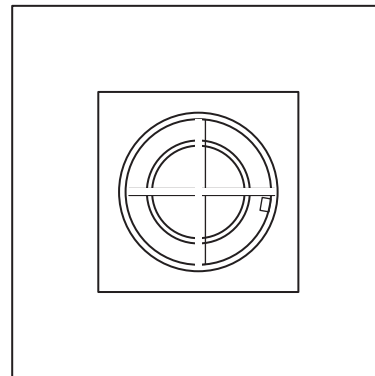
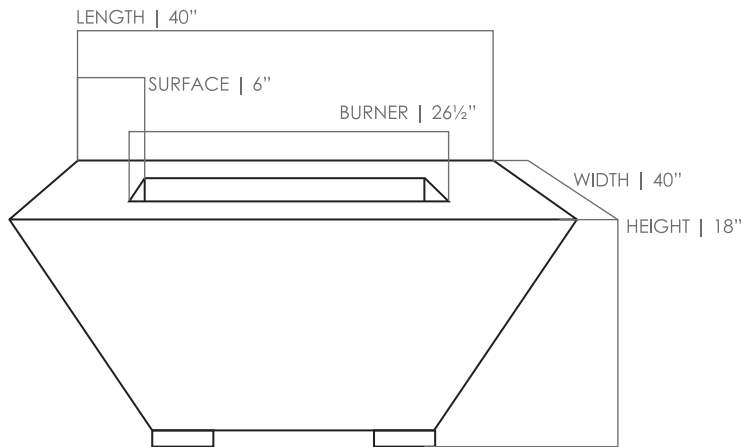


FIRE FEATURES

LOMBARD



SPECIFICATIONS

Width	40"
Height	18"
Surface	6"
Burner Size	26 1/2" / 65,000 BTU
Weight	280 lbs.
Fuel Source	LP or NG
Ignition	Electric Ignition
Materials	Glass fiber reinforced cement

*CSA listed burner, stainless steel insert. Installation instructions & nylon lifting strap included. 24 Month warranty.

AVAILABLE COLORS



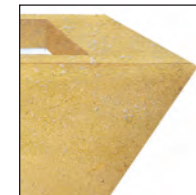
Pewter



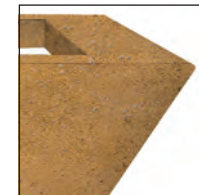
Natural



Ebony



Sand



Sienna



Cafe

Included Media:
3/4" Lava Rock



The Lombard Fire Table provides an outdoor retreat of warmth and ambiance. Each Table has been hand-crafted using our custom patina finishing process, guaranteeing a one-of-a-kind creation with subtle variation.

The Lombard Fire Table was designed with modern luxury in mind. The unique angled shape and sharp lines displays fire in a more artistic variation.

The Lombard is capable of holding lava rock, fire rock, and fire glass, available in over a dozen colors. Included with this Fire Feature is a 50lb. bag of 3/4" black lava rock.

