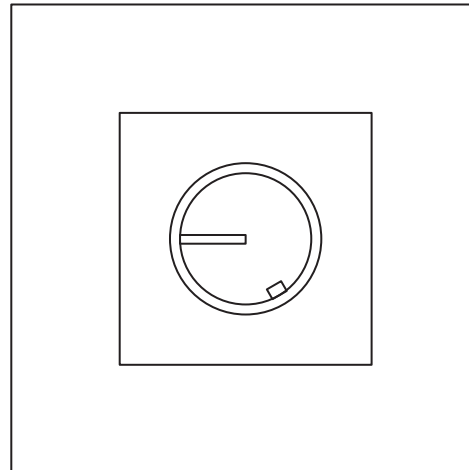
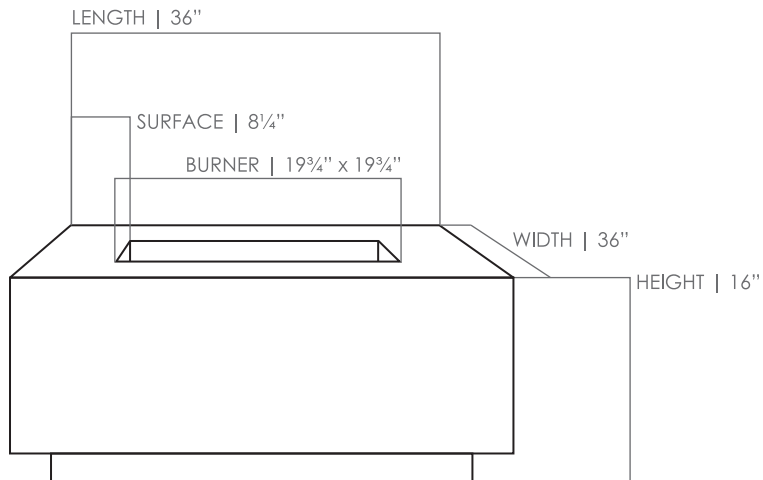


FIRE FEATURES

TAVOLA II



SPECIFICATIONS

Width	36"
Length	36"
Height	16"
Surface	8 1/4"
Burner Size	19 3/4" x 19 3/4" / 65,000 BTU
Weight	240 lbs.
Fuel Source	LP or NG
Ignition	Electric Ignition
Materials	Glass fiber reinforced cement

*CSA listed burner, stainless steel insert. Installation instructions & nylon lifting strap included. 24 Month warranty.

AVAILABLE COLORS



Pewter



Natural



Ebony



Sand



Sienna



Cafe

Included Media:
3/4" Lava Rock



The Tavola II Fire Table provides an outdoor retreat of warmth and ambiance. Each Table has been hand-crafted using our custom patina finishing process, guaranteeing a one-of-a-kind creation with subtle variation.

The 8 1/4" surface area provides adequate distance from the flame allowing for table like usage for drinks. The 16" height provides a perfect level for lounging.

The Tavola II is capable of holding lava rock, fire rock, and fire glass, available in over a dozen colors. Included with this Fire Feature is a 50lb. bag of 3/4" black lava rock.

