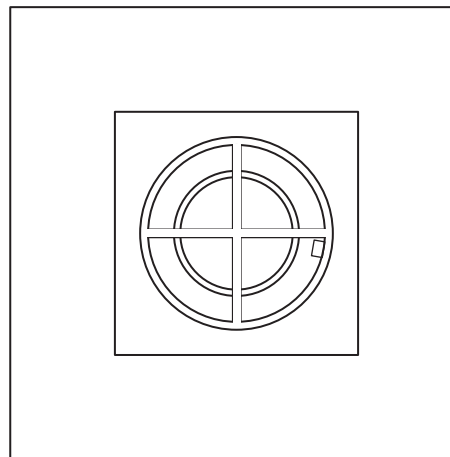
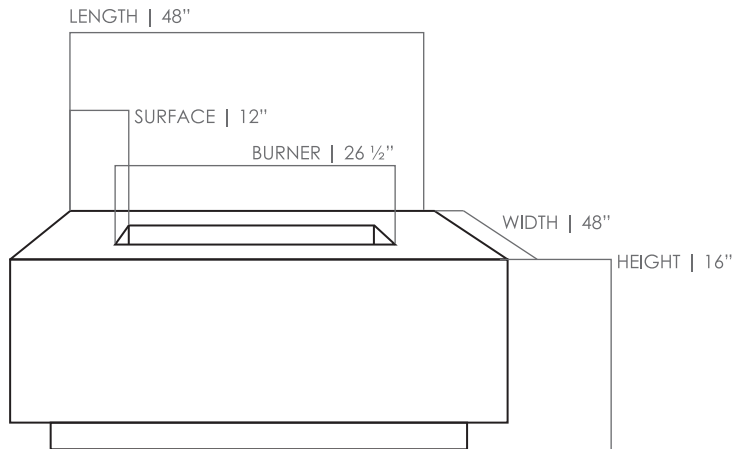


FIRE FEATURES

TAVOLA III



SPECIFICATIONS

| | |
|-------------|-------------------------------|
| Width | 48" |
| Length | 48" |
| Height | 16" |
| Surface | 12" |
| Burner Size | 26 1/2" / 65,000 BTU |
| Weight | 450 lbs. |
| Fuel Source | LP or NG |
| Ignition | Electric Ignition |
| Materials | Glass fiber reinforced cement |

*CSA listed burner, stainless steel insert. Installation instructions & nylon lifting strap included. 24 Month warranty.

AVAILABLE COLORS



Pewter



Natural



Ebony



Sand



Sienna



Cafe

Included Media:
3/4" Lava Rock



The Tavola III Fire Table provides an outdoor retreat of warmth and ambiance. Each Table has been hand-crafted using our custom patina finishing process, guaranteeing a one-of-a-kind creation with subtle variation.

The 12" surface area provides adequate distance from the flame allowing for table like usage for drinks. The 16" height provides a perfect level for lounging.

The Tavola III is capable of holding lava rock, fire rock, and fire glass, available in over a dozen colors. Included with this Fire Feature is a 50lb. bag of 3/4" black lava rock.

